

TOLERANCE & MACHINE NOTES UNLESS OTHERWISE SPECIFIED	
DIMENSIONS ARE IN INCHES @ 68-72 °F	
TOLERANCES:	
TWO PLACE DECIMAL	±0.010
THREE PLACE DECIMAL	±0.005
FOUR PLACE DECIMAL	±0.0005
MAXIMUM MACHINED SURFACE	0.0005
ANGULAR	±0.10°
CHAMFER ALL EDGES	0.03 x 45°
FILET RADIUS	0.010

**PTI** Plasma Technics Inc.

TITLE: Miniature Plasma Block

SIZE: D DWG. NO: 79300 REV: 1

SCALE: 1:2 WEIGHT: SHEET 1 OF 2

REV.	CHANGES	DATE	ENG.
1	ADDED SHEET 2, ALTERNATE MOUNTING CONFIGURATION	11/18/2008	TM
0	INITIAL RELEASE	11/18/2008	TM

NAME	DATE
DRAWN: TM	7-8-08
CHECKED:	
ENG APPR:	
MFG APPR:	
C.A.	
COMMENTS:	

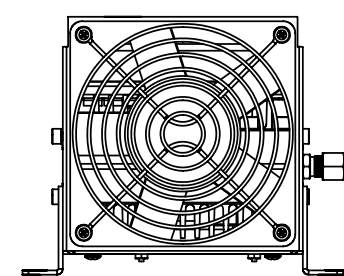
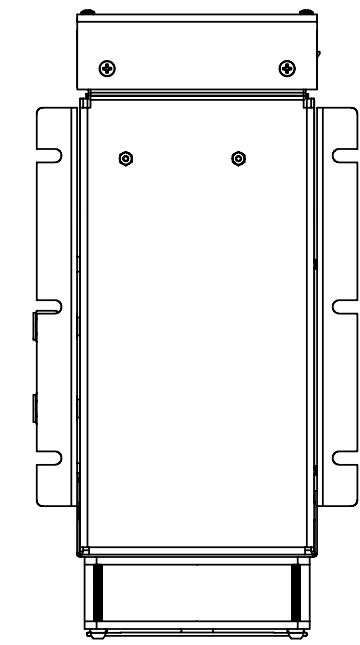
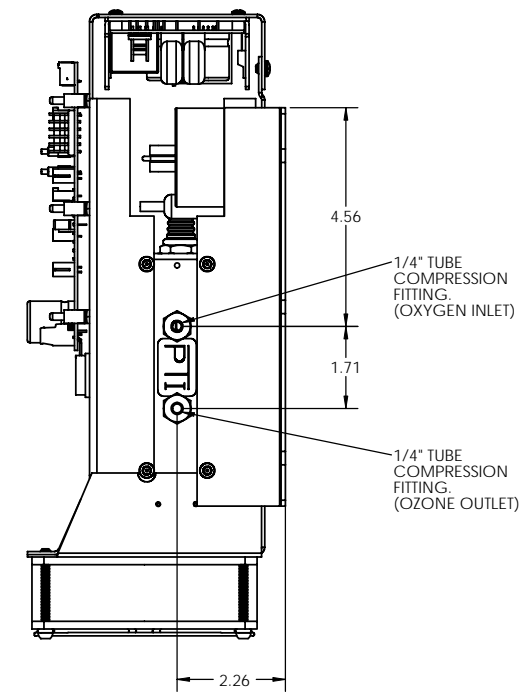
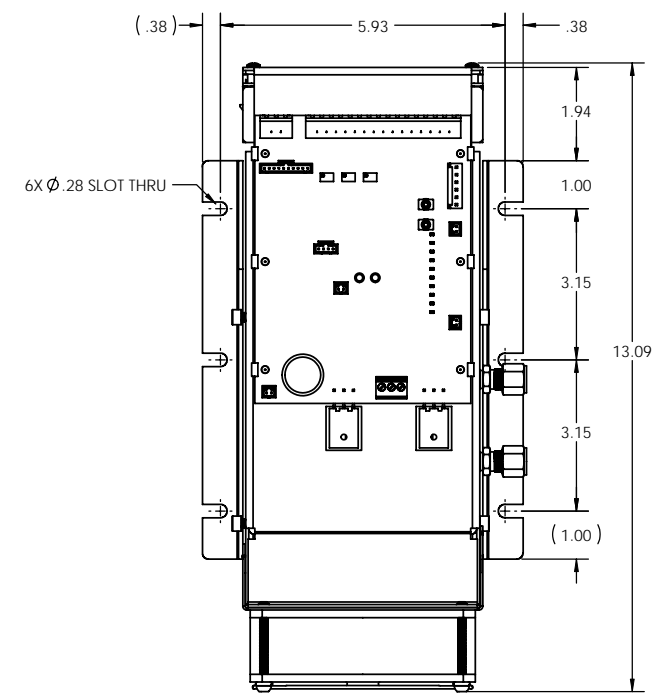
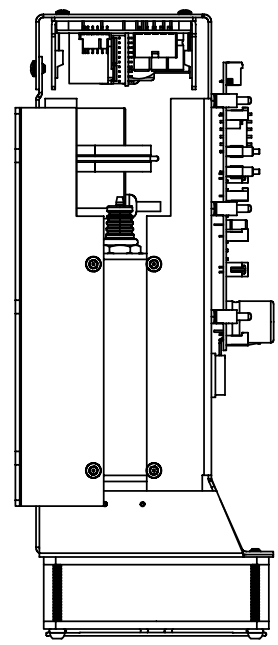
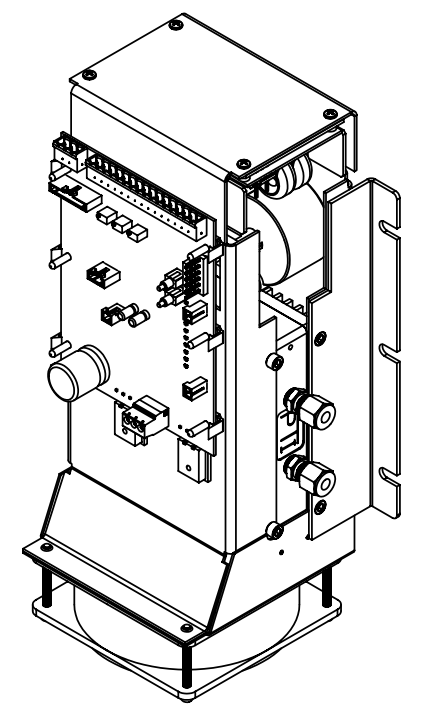
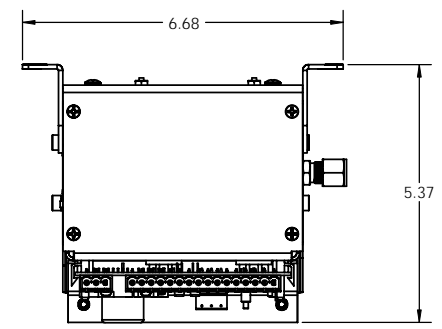
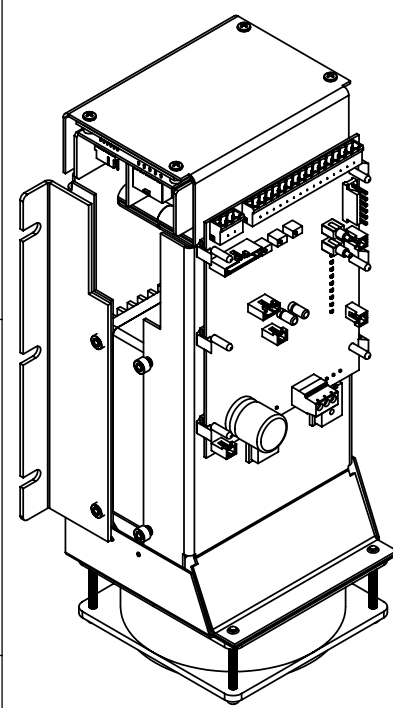
PROPRIETARY AND CONFIDENTIAL  
THE INFORMATION CONTAINED IN THIS DRAWING IS THE SOLE PROPERTY OF PLASMA TECHNIKS INC. ANY REPRODUCTION IN PART OR AS A WHOLE WITHOUT THE WRITTEN PERMISSION OF PLASMA TECHNIKS INC. IS PROHIBITED.

MATERIAL: HEAT TREATMENT: FINISH: DO NOT SCALE DRAWING

8 7 6 5 4 3 2 1

D  
79300

F  
E  
D  
C  
B  
A



TOLERANCE & MACHINE NOTES UNLESS OTHERWISE SPECIFIED		NAME	DATE
DIMENSIONS ARE IN INCHES @ 68.72 °		TM	11/18/08
TOLERANCES:		CHECKED	
TWO PLACE DECIMAL	±0.010	ENG APPR	
THREE PLACE DECIMAL	±0.005	MFG APPR	
FOUR PLACE DECIMAL	±0.0005		
MAXIMUM MACHINED SURFACE	0.0005		
ANGULAR: ±0.10°		COMMENTS	
CHAMFER ALL EDGES: 0.03 x 45°			
FILET RADIUS: 0.010			
MATERIAL			
HEAT TREATMENT			
FINISH			
DO NOT SCALE DRAWING			

**PTI** Plasma Technics Inc.

Miniature Plasma Block

SIZE DWG. NO. **D** 79300 REV **1**

SCALE: 1:2 WEIGHT: SHEET 2 OF 2

REV.	CHANGES	DATE	ENG.
	SEE SHEET 1	11/18/2008	TM